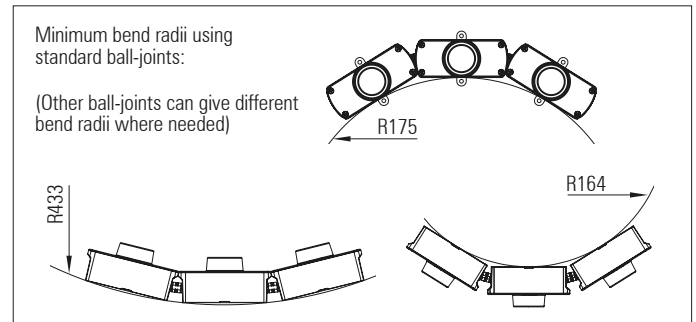
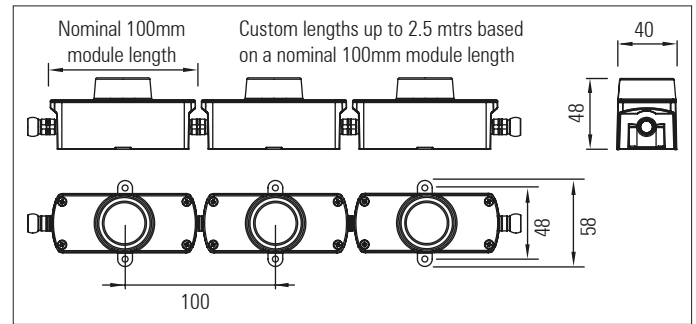


3D LED Flex 40 RGBW IP20

1 x RGBW LED array with 32mm ø colour-mixing lens per module
Modular, 3D flexible LED linear lighting system



1 x RGBW LED array with 32mm ø Gaggione colour-mixing lens per module

Modular, 3D flexible LED linear lighting system

Product description:

For use in interior lighting applications where the building surfaces are non linear with curved profiles

Each module - 4x Luxeon Z or CZ LEDs, with a highly efficient colour-blending Gaggione lens

Up to 4.5 Watts per 100mm module. Up to 48 V DC supply

Flexible in 3 dimensions - articulated ball-joint system between modules

LED pitch is maintained between the modules

Side, back and end power feed and connector options allow for continuous lighting with no dark areas between fixtures. 16 Amp IP20 connectors join fixtures together on-site

Integral LV constant current driver or remote Eldoled 4 Channel DMX driver

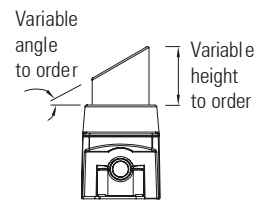
Remote DMX / DALI controller can be located up to 50 mtrs from the LED system

Satin black, satin white or any RAL paint colour finish

Custom lengths based on a 100 mm module up to 2.5 mtrs

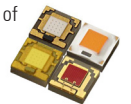
Various mounting options and bracket types are available including custom solutions

Anti-glare snoot:



Up to 1,627 Lumens per Mtr

Custom combinations of different colour temp. white-light LEDs and different colour-light LEDs can be specified



LED / lens matrix	LUXEON CZ CLUSTER x4 RGBW LEDs	LUXEON Z CLUSTER x4 RGBW LEDs
LLC25C Colour	FWHM 1: 21.5°	FWHM 1: 16.8°
LLC25E Elliptical	N.A.	FWHM 1: 12.9° FWHM 2: 33.2°
LLC25G Narrow/Medium	FWHM 1: 22.9°	FWHM 1: 16.3°
LLC25N Narrow	FWHM 1: 22.3°	FWHM 1: 12.9°
LLC25W Wide	N.A.	FWHM 1: 32.3°
LLC25V Very Wide	FWHM 1: 50.7°	FWHM 1: 55.0°

Product Code	No. of LEDs per mtr.	IP	Length (mm)	LED Type	LED Colour / Colour Temp.(K)	CRI	Anti-glare Snoot	Feed	Finish
RAD 3D LED FLEX 40 IP20 RGBW - 4 L 32MM	40 LEDs per Mtr: (100mm spacing between LED arrays)	20	100mm -increments of 100mm up to- 2,500mm	LUMILED Luxeon clusters: 4x RGBW CZ LEDs 4x RGBW Z LEDs	Specify all 4x LEDs in cluster:	80 90	Cut-angle: 0° - 75° (increments of 5°) Height: specify height	End Back Side	Black White Any RAL- colour
					Far Red, Red, Deep Red, Red-Orange, Amber, PC Amber, Mint, Lime, Green, Cyan, Blue, Royal Blue, Violet				

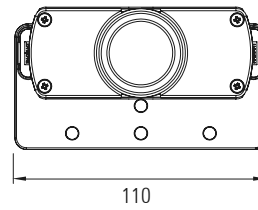
3D LED Flex 40 RGBW IP20

1 x RGBW LED array with 32mm ø colour-mixing lens per module

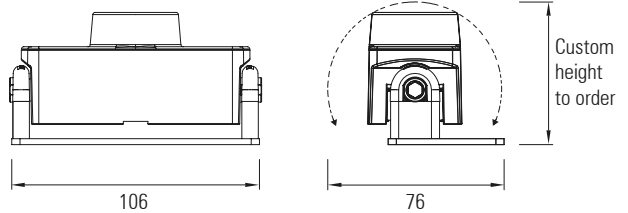
Adjustable angle mounting bracketry



Standard IP20 adjustable angle mounting bracket. Polycarbonate. Black or white finish.

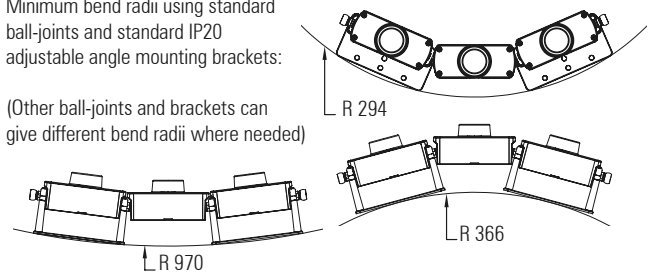


Custom height IP20 adjustable angle mounting bracket. Aluminium. Powder coat finish.

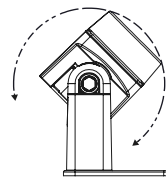


Minimum bend radii using standard ball-joints and standard IP20 adjustable angle mounting brackets:

(Other ball-joints and brackets can give different bend radii where needed)



The angle of the modules can be adjusted by hand on-site



Adjustable angle mounting bracketry for 3D LED Flex 40 IP20 1 x RGBW LED array with 32mm diameter lens per module

The 3D LED Flex 40 system is flexible in 3 dimensions, which allows it to follow curved building contours. Once they have been fixed to the building surface, adjustable angle brackets allow the modules to be rotated around the major axis, so that the light output can be aimed precisely.

The angle of the modules can be adjusted by hand easily on-site. The friction ball-joint system keeps the modules correctly positioned. There is also a lockable option, which allows each module to be locked in place using an Allen key once it is correctly positioned.

A standard height version and a custom height version are available.

Custom options are also available.

The standard height bracket is made from polycarbonate and is available in black or white.

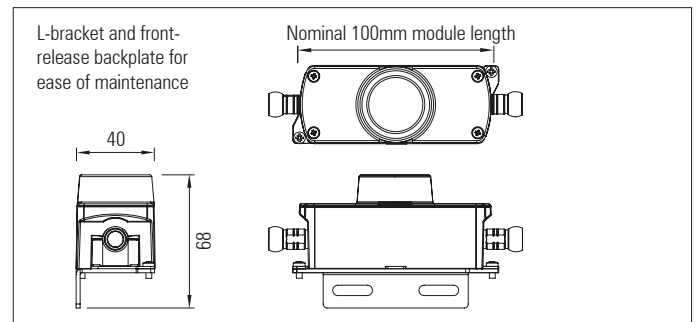
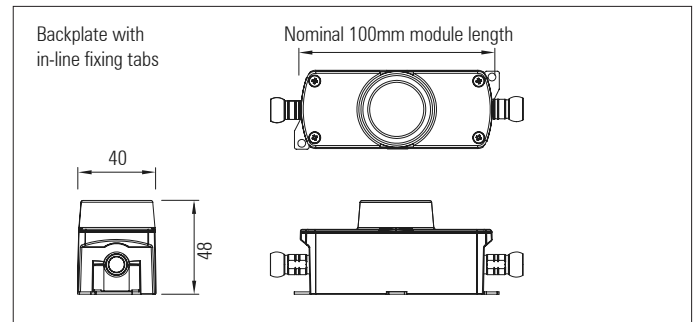
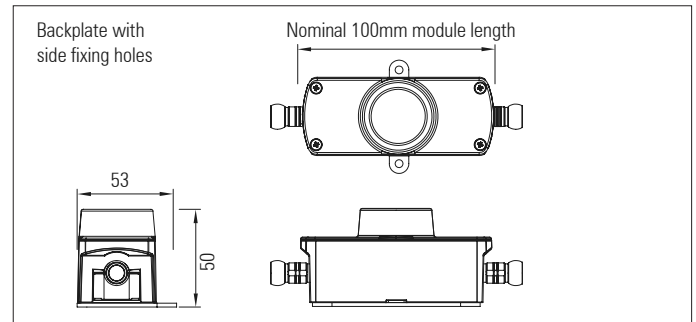
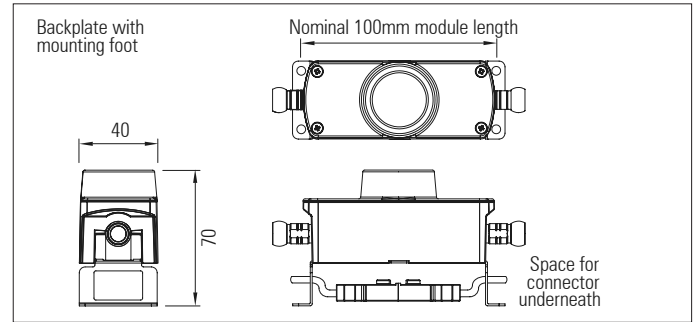
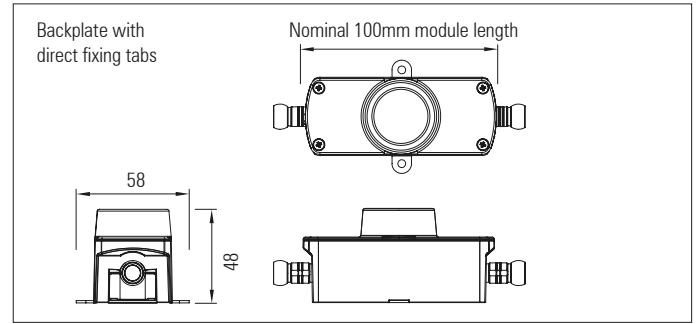
The custom-height bracket is made from aluminium with a powder coat finish which is available in satin black, satin white or any RAL paint colour finish.

Product code	IP	Finish	Height of legs (mm)
RAD 3D LED FLEX 40 IP20 ADJUSTABLE ANGLE BRACKET STANDARD PC	20	Polycarbonate: Black White	Custom height version only: 20mm
RAD 3D LED FLEX 40 IP20 ADJUSTABLE ANGLE BRACKET CUSTOM HEIGHT AL		Aluminium: Black White Any RAL colour	-increments of 5mm up to- 300mm

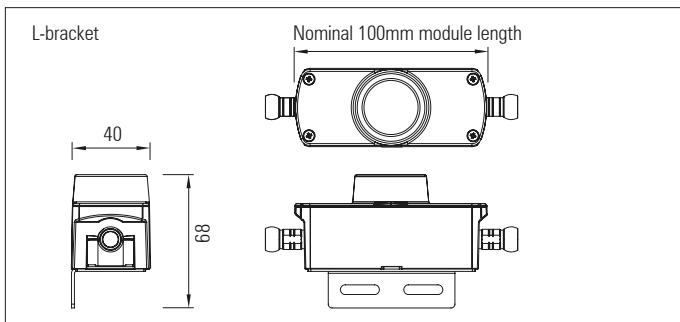
3D LED Flex 40 RGBW IP20

1 x RGBW LED array with 32mm ø colour-mixing lens per module

Fixed angle mounting bracketry



Product code	IP	Finish
RAD 3D LED FLEX 40 IP20 FIXED ANGLE BRACKET DIRECT FIXING TABS	20	Black White Any RAL colour
RAD 3D LED FLEX 40 IP20 FIXED ANGLE BRACKET WITH MOUNTING FOOT		
RAD 3D LED FLEX 40 IP20 FIXED ANGLE BRACKET SIDE FIXING		
RAD 3D LED FLEX 40 IP20 FIXED ANGLE BRACKET IN-LINE FIXING		
RAD 3D LED FLEX 40 IP20 FIXED ANGLE L-BRACKET FRONT RELEASE		
RAD 3D LED FLEX 40 IP20 FIXED ANGLE L-BRACKET		



3D LED Flex 40 System

Ball-joint types

Product description:

Radiant's 3D LED Flex 40 system comprises a patented articulated ball-joint system which links the heatsink modules.

The ball-joints system allows the strips to bend and twist in 3 dimensions, so that they can follow any building contours, whilst maintaining a constant LED pitch.

There are various types of ball-joint to suit different applications, some of which can be seen on this data sheet. Please contact Radiant to discuss custom solutions.

Product Code	Material	Length (mm)
STANDARD BALL-JOINT	Nickel-plated brass	(For longer ball-joint only)
BALL-JOINT STRAIGHT BRACKET		
BALL-JOINT BRACKET TIGHT BENDS	Stainless steel	100mm
BALL-JOINT CURVED BRACKET		200mm
BALL-JOINT TIGHT BENDS		300mm
BALL-JOINT LONG		Custom lengths
BALL-JOINT IN LINE FIXING		Custom lengths

